

Type 510/511 All Welded Diaphragm Seal



Type 510

Type 510 (XHP)
High Pressure

FEATURES

- Compact size
- Light weight
- All-welded design
- 1500 psi rating standard, 5000 psi rating optional
- Continuous duty design
- Minimized fill volume
- Male connections eliminate adapters/fittings
- Available flushing connection (Type 511)
- Dual inch and metric wrench flats

APPLICATIONS

- Corrosive processes
- Controlling fugitive emissions
- Elevated process temperatures
- Suspended solids in the process
- Limited space
- Where male process connections are preferred

CONSTRUCTION

This compact isolator is small enough in design to be used in confined spaces, but provides sufficient displacement to drive a wide variety of instrumentation. Its all-welded tamper proof design prevents possible process media leakage.

SPECIFICATIONS

Pressure Rating

Standard Vac. to 1500 psi @ 100°F
 Optional 1500 to 5000 psi @ 100°F (XHP)

Top Housing material

316L Stainless Steel, Hastelloy C 276, Monel 400

Diaphragm Materials

316 Stainless steel, Hastelloy C 276, Monel 400

Lower Housing Materials

316 Stainless steel, Hastelloy C 276, Monel 400

Instrument Connection Size

½ NPT Female

Process Connections

½ NPT Male

Accuracy (typical)

Seal will add ½% to the stated full scale accuracy of the instrument attached.

Standard Fill Medias

XCG – Glycerin

XCK – Silicone

XCF – Halocarbon

XHA – Syltherm

*Others available upon request

Pressure Rating

- Vac. to 1,500 psi standard

- Vac. to 5,000 psi with XHP option

OPTIONS

XDU – Welded Instrument Connection

XHP – 5000 psi rating (Type 510 only)

XMQ – Positive Material Identification (PMI)

X6B – Oxygen Cleaned

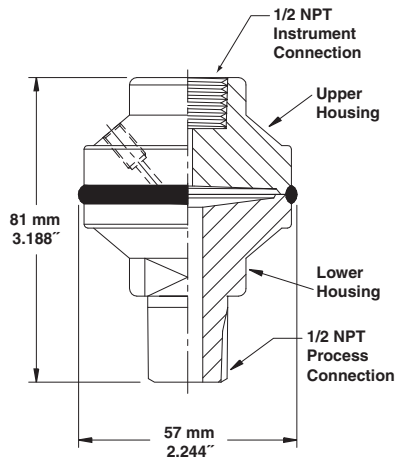
How To Order

0 4	5 1 0	S	S	0 4 T	X C K	D U
Process Configuration	Seal Type	Diaphragm Material	Lower Housing Material	Instrument Connection	Fill Fluid or Variations	Options
(04) 1/2 NPT Male	500 Threaded 511 Threaded with Flushing Connection	(S) 316LSS (H) Hastelloy C-276 (P) Monel 400	(S) 316LSS (H) Hastelloy C-276 (M) Monel 400	(04T) 1/2 NPT Female	(XCG) Glycerin (direct mounted, 0/400°F, -18/204°C) (XCK) Silicone (direct mounted or with capillary ≤10 (3m), -40/600°F, -40/315°C) (XDJ) Silicone (with capillary ≥10 (3m), -40/600°F, -40/315°C) (XCF) Halocarbon (direct mounted or with capillary, -70/300°F, -56/149°C) (XHA) Syltherm 800 (direct mounted or with capillary, -40/750°F, -40/400°C)	(HP) High pressure rating (5000 psi) (DU) Welded instrument connection (PU) Pipe plug for flushing connection (same material as bottom housing) (6B) Oxygen cleaned (only with Halocarbon filling)
NOTE: Type 510H, H standard with Hastelloy C-276 top housing						

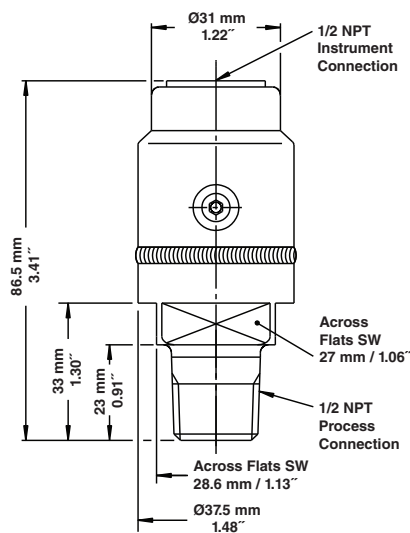
Type 510/511 All Welded Diaphragm Seal

DIMENSIONS

Type 510 Diaphragm Seal

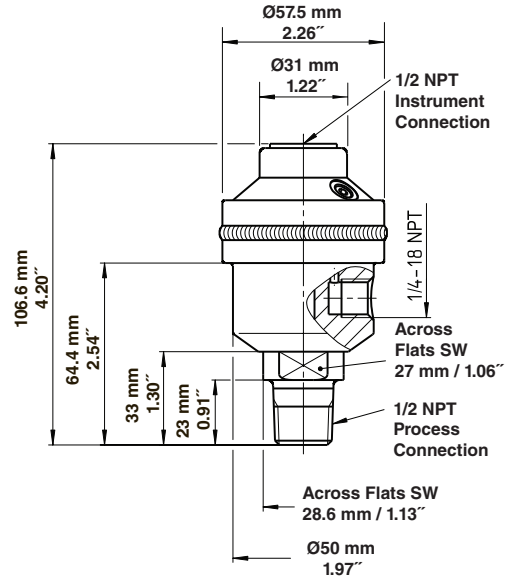


Type 510 High Pressure Diaphragm Seal (XHP)

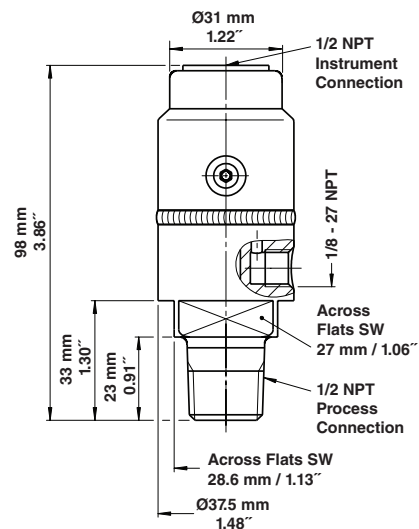


510 Instrument Connection Thread	Code
1/2 NPT Female	04T

Type 511 Diaphragm Seal with Flushing Connection



Type 511 High Pressure Diaphragm Seal with Flushing Connection (XHP)



511 Instrument Connection Thread	Code
1/2 NPT Female	04T